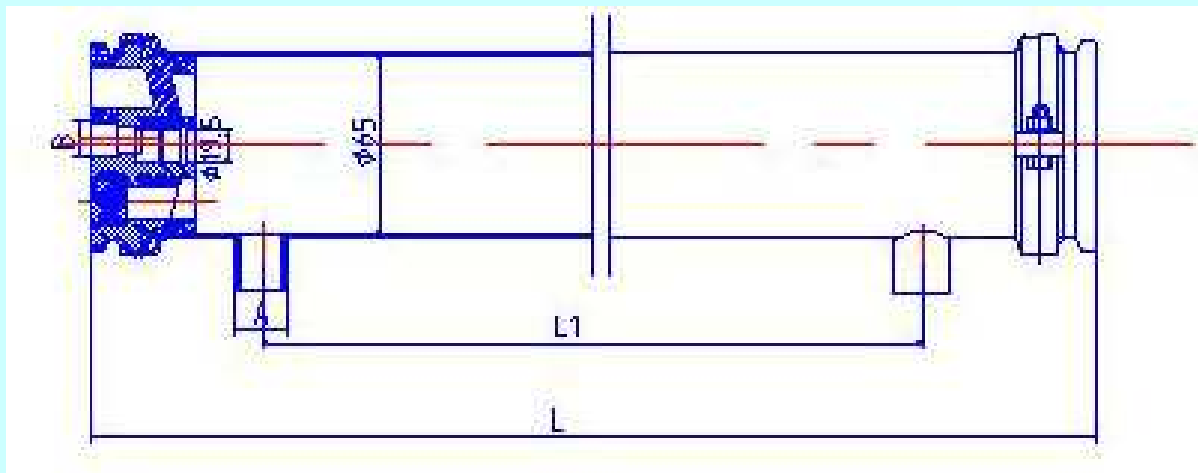
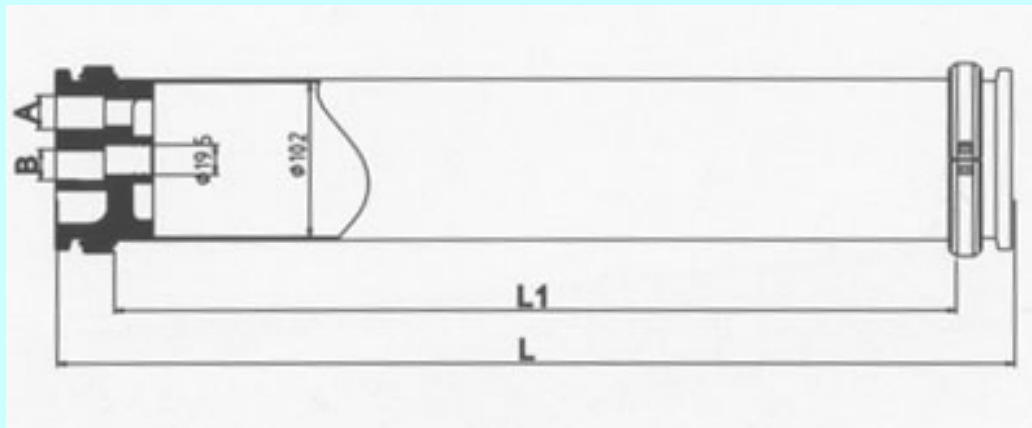


# TL10 RO Membrane Housing



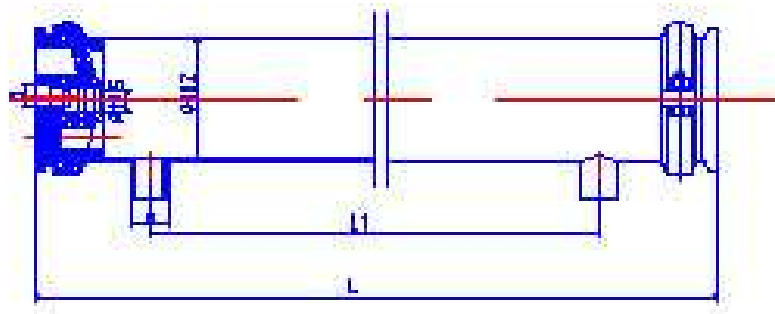
Parameter	L	L <sub>1</sub>	A	B
Model	(mm)	(mm)	(mm.in)	(mm.out)
2521	636	486	1/4", 3/8"	1/4", 3/8"
2540	1144	994	3/8"	3/8"

# TL1 RO Membrane Housing



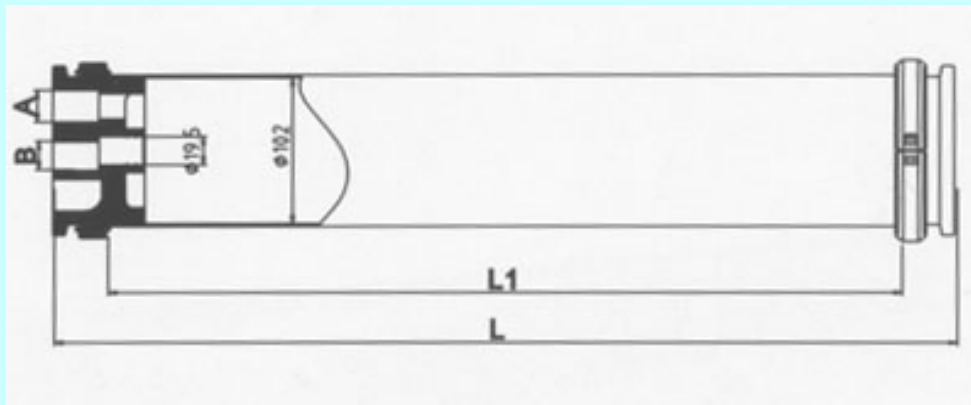
Parameter Model	L (mm)	L <sub>1</sub> (mm)	A (mm.in)	B (mm.out)
4021	600	540	Dg15, 1/2"	Dg15, 1/2"
4040	1087	1027	Dg20, 3/4"	Dg15, 1/2"
4080	2103	2043	Dg20, 3/4"	Dg15, 1/2"
40120	3119	3059	Dg20, 3/4"	Dg20, 3/4"
40160	4135	4075	Dg20, 3/4"	Dg20, 3/4"
40200	5151	5091	Dg20, 3/4"	Dg20, 3/4"

# TL2 RO Membrane Housing



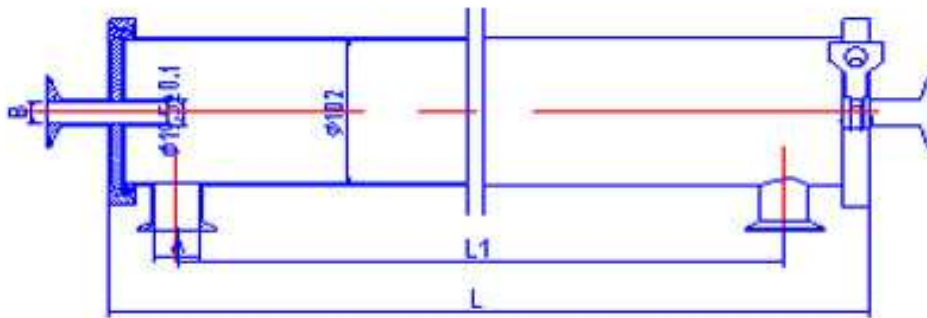
Parameter	L	L <sub>1</sub>	A	B
Model	(mm)	(mm)	(mm.in)	(mm.out)
4021	636	486	Dg15, 1/2"	Dg15, 1/2"
4040	1144	994	Dg20, 3/4"	Dg15, 1/2"
4080	2160	2010	Dg20, 3/4"	Dg15, 1/2"
40120	3176	3026	Dg20, 3/4"	Dg20, 3/4"
40160	4192	4042	Dg20, 3/4"	Dg20, 3/4"

# TL3 RO Membrane Housing



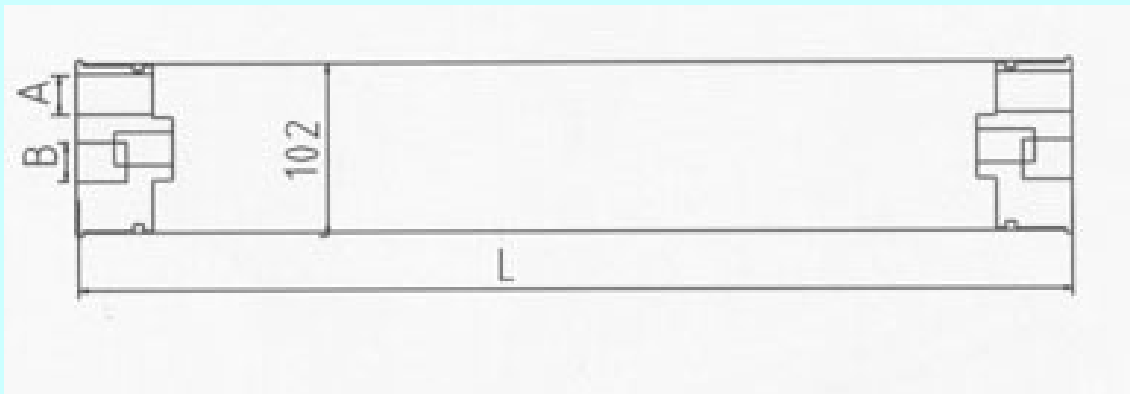
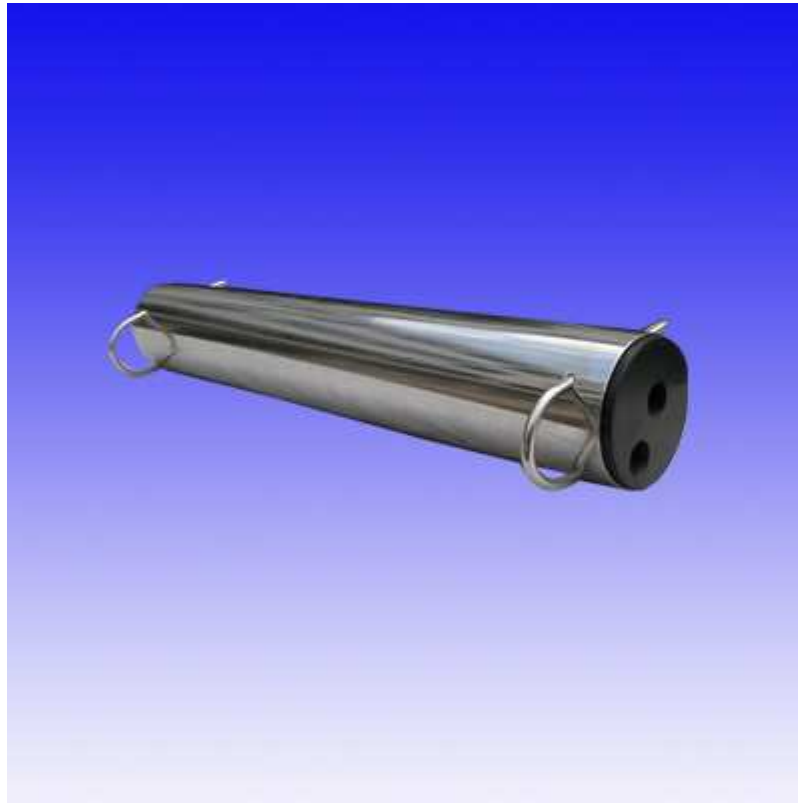
Parameter	L	L <sub>1</sub>	A	B
Model	(mm)	(mm)	(mm.in)	(mm.out)
4021	600	540	Dg15?? <sup>1</sup> / <sub>2</sub> "	Dg15, <sup>1</sup> / <sub>2</sub> "
4040	1087	1027	Dg20, <sup>3</sup> / <sub>4</sub> "	Dg15, <sup>1</sup> / <sub>2</sub> "
4080	2103	2043	Dg20, <sup>3</sup> / <sub>4</sub> "	Dg15?? <sup>1</sup> / <sub>2</sub> "
40120	3119	3059	Dg20, <sup>3</sup> / <sub>4</sub> "	Dg20, <sup>3</sup> / <sub>4</sub> "
40160	4135	4075	Dg20, <sup>3</sup> / <sub>4</sub> "	Dg20, <sup>3</sup> / <sub>4</sub> "
40200	5151	5091	Dg20, <sup>3</sup> / <sub>4</sub> "	Dg20, <sup>3</sup> / <sub>4</sub> "

# TL4 RO Membrane Housing



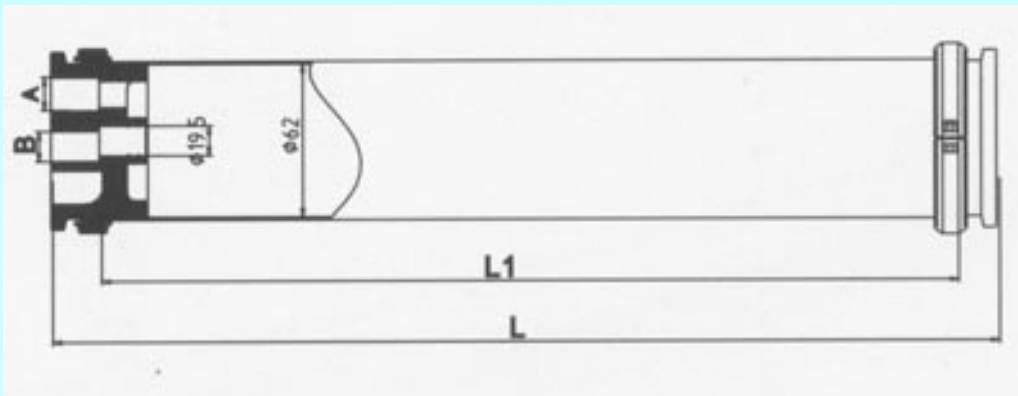
Parameter	L	L <sub>1</sub>	A	B
Model	(mm)	(mm)	(mm.in)	(mm.out)
4040	1144	994	Dg20, <sup>3</sup> / <sub>4</sub> "	Dg15, <sup>1</sup> / <sub>2</sub> "
4080	2160	2010	Dg20, <sup>3</sup> / <sub>4</sub> "	Dg15, <sup>1</sup> / <sub>2</sub> "
40120	3176	3026	Dg20, <sup>3</sup> / <sub>4</sub> "	Dg20, <sup>3</sup> / <sub>4</sub> "
40160	4192	4042	Dg20, <sup>3</sup> / <sub>4</sub> "	Dg20, <sup>3</sup> / <sub>4</sub> "

# TL5 RO Membrane Housing



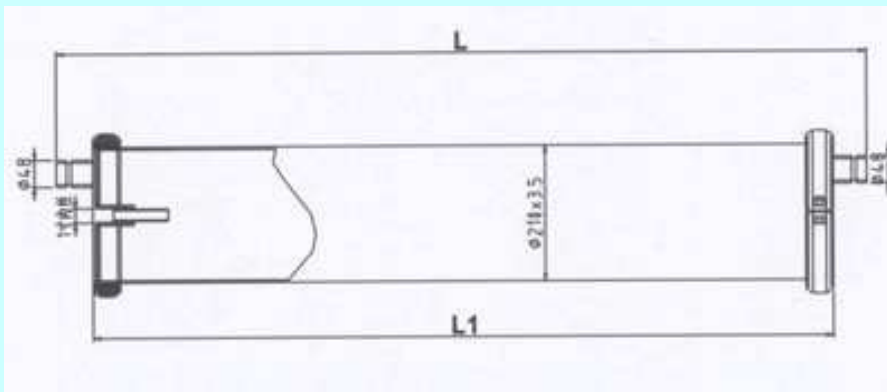
Parameter	L	A	B
Model	(mm)	(mm.in)	(mm.out)
4021	597	3/4"	3/4"
4040	1080	3/4"	3/4"
4080	2096	3/4"	3/4"
40120	3112	3/4"	3/4"
40160	4128	3/4"	3/4"
40200	5144	3/4"	3/4"

# TL6 RO Membrane Housing



Parameter	L	L <sub>1</sub>	A	B
Model	(mm)	(mm)	(mm,out)	(mm.in)
2521	600	540	2/8"	3/8"
2540	1079	1027	3/8"	3/8"

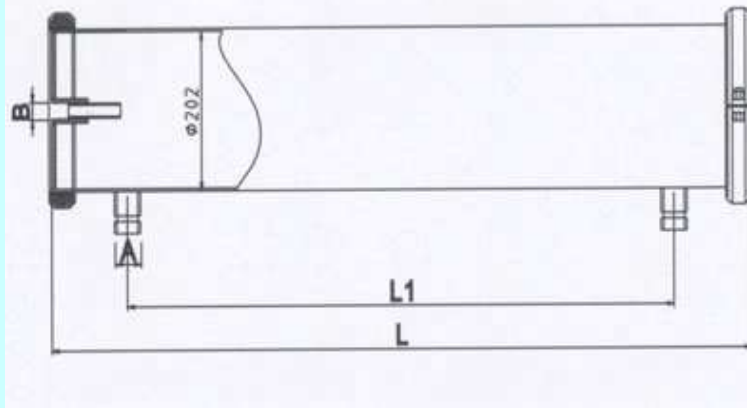
# TL7 RO Membrane Housing



Parameter	L	L <sub>1</sub>	A	B
Model	(mm)	(mm)	(mm.in)	(mm.out)
<b>8040</b>	1174	1080	Dg25,1"	Dg40,1 1/2"
<b>8080</b>	2190	2093	Dg25,1"	Dg40,1 1/2"
<b>80120</b>	3206	3112	Dg25,1"	Dg40,1 1/2"
<b>80160</b>	4222	4128	Dg25,1"	Dg40,1 1/2"
<b>80200</b>	5238	5144	Dg25,1"	Dg40,1 1/2"
<b>80240</b>	6254	6160	Dg25,1"	Dg40,1 1/2"

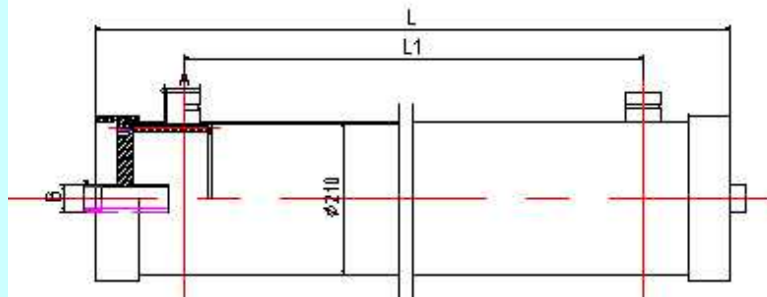


# TL8 RO Membrane Housing



Parameter Model	L (mm)	L <sub>1</sub> (mm)	A (mm.in)	B (mm.out)
8040-1	1288	1101	Dg40,1 1/2"	Dg25,1"
8040-2	2304	2117	Dg40,1 1/2"	Dg25,1"
8040-3	3320	3133	Dg40,1 1/2"	Dg25,1"
8040-4	4336	4149	Dg40,1 1/2"	Dg25,1"
8040-5	5352	5165	Dg40,1 1/2"	Dg25,1"
8040-6	6368	6181	Dg40,1 1/2"	Dg25,1"

# TL9 RO Membrane Housing



Parameter	L	L <sub>1</sub>	A	B
Model	(mm)	(mm)	(mm.in)	(mm.out)
8040-1	1333	1093	Dg40,1 1/2"	Dg25,1"
8040-2	2349	2109	Dg40,1 1/2"	Dg25,1"
8040-3	3365	3125	Dg40,1 1/2"	Dg25,1"
8040-4	4381	4141	Dg40,1 1/2"	Dg25,1"
8040-5	5397	5157	Dg40,1 1/2"	Dg25,1"
8040-6	6413	6173	Dg40,1 1/2"	Dg25,1"